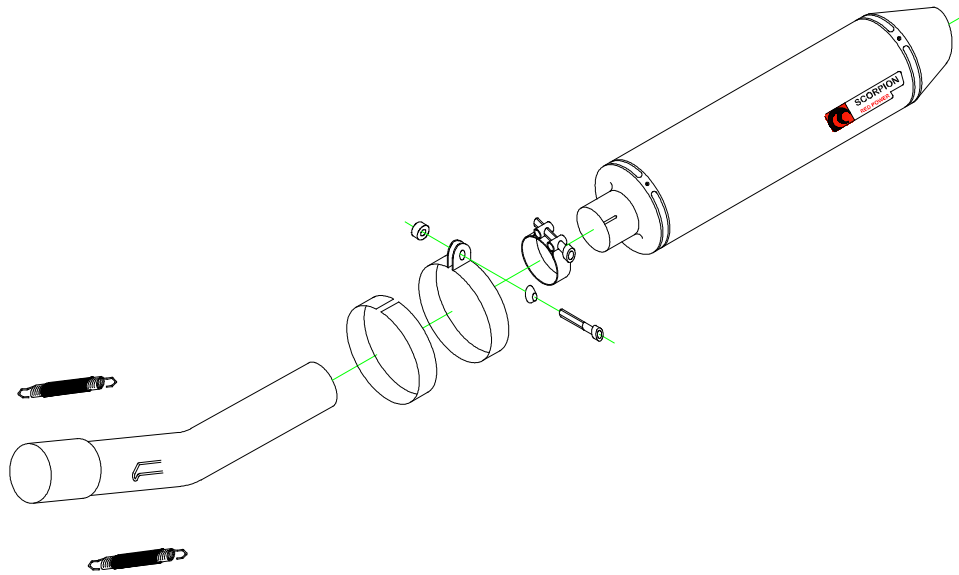


Box: PLOCK 1

BIKE	BMW F800 GS	PART NO.	EBM-62
YEAR	2008-17	FIT KITS	OVAL Z039.11256
NOTES	Use standard fittings where not supplied. <b>Remove standard gasket if fitted.</b>	DB-Killer	SCEXDBK12 - (Type B)



- |  |   |
|--|---|
| 1 400mm Oval Silencer ESC 51           | 8 2 off Rubber Sleeved Springs (Z028.10030) |
| 2 51-55mm Band Clamp (Z016.10002)      | 9 M8 x 10mm Alloy                           |
| 3 M8 x 20mm Cap Head Bolt (Z017.10072) |   |
| 4 Aluminium Bolt Finisher (Z026.20068) |   |
| 5 Oval Silencer Strap (Z028.10230)     |   |
| 6 Silencer Strap Rubber (Z029.10022)   |   |
| 7 Connecting Pipe CP466                |   |

CLASSIFICATION	Closed Circuit Product
HOMOLOGATED	NO
ISSUE NO.	05
DATE	28/03/2022
AUTHORISED	S Shipley
CHECKED	

**NOTE:** ENSURE SCORPION SYSTEM IS CLEAR OF MOVING PARTS AND ALL ORIGINAL FUNCTIONS WORK CORRECTLY.



A) Remove original exhaust from bike, taking care to keep all original components in a safe place.

B) Refit Scorpion exhaust as per line diagram above.

C) When fitted take bike for a short ride to ensure all functions are correct.

D) When bike & exhaust are cool enough check all nuts and bolts are still secure.