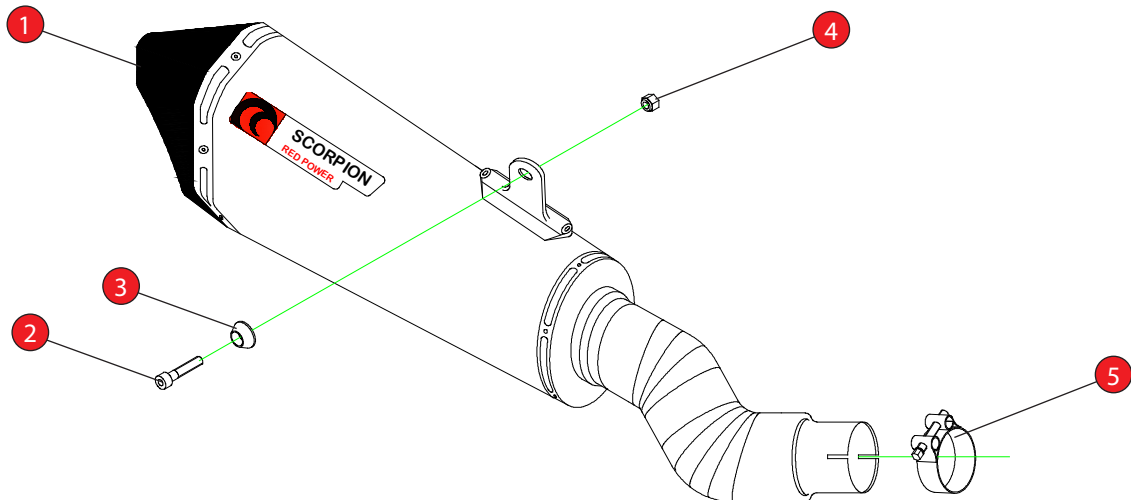


Box: PLOCK 1

Estimated Fitting Time: 60 Minutes

BIKE	Kawasaki ZX-10R / ZX-10RR / ZX-10R SE	PART NO.	RKA-113
YEAR	2016-Current / 2017-Current	FIT KITS	Z039.11569
NOTES	Use standard fittings where not supplied Remove standard gasket if fitted.	DB-Killer	SCEXDBK25 - (Type Y)



- 1 Serket Taper Silencer RSC 357 With Connecting Pipe 899
- 2 M8 x 40mm Cap Head Bolt (Z017.10076)
- 3 Alloy Bolt Finisher (Z026.20068)
- 4 M8 Nyloc Nut (Z017.10062)
- 5 51-55mm Clamp (Z016.10002)

E-MARK	e11 0952
ISSUE NO.	04
DATE	17/10/2018
AUTHORISED	J.Harkin
CHECKED	

NOTE: ENSURE SCORPION SYSTEM IS CLEAR OF MOVING PARTS AND ALL ORIGINAL FUNCTIONS WORK CORRECTLY.

A) Remove original exhaust from bike, taking care to keep all original components in a safe place.

B) Refit Scorpion exhaust as per line diagram above.

C) When fitted take bike for a short ride to ensure all functions are correct.

D) When bike & exhaust are cool enough check all nuts and bolts are still secure.



Box: PLOCK 1

BIKE	Kawasaki ZX-10R / ZX-10RR / ZX-10R SE	PART NO.	RKA-113
YEAR	2016-Current / 2017-Current	FIT KITS	Z039.11569
NOTES	Use standard fittings where not supplied Remove standard gasket if fitted.	FEATURES	Db Killer: Z038.20168 (Y)

Thank you for purchasing your Scorpion Silencer.

Care of your exhaust: Please refrain from cleaning silencer with heavy solvents or abrasives!

Vielen Dank Für den kauf eines Scorpion Schalldampfers! Pflegehinweis: Bitte verwenden Sie niemals Scheuermittel oder aggressive Reiniger zur Pflege Ihres Auspuffes!

Merci d'avoir choisi un echappement Scorpion.

Entretien de votre silencieux: Ne pas utiliser de solvants ou de produits abrasifs!

Muchas gracias por adquirir un Silencioso Scorpion. Le recomendamos no limpiar el silencioso con productos abrasivos o aquellos que contengan disolventes.