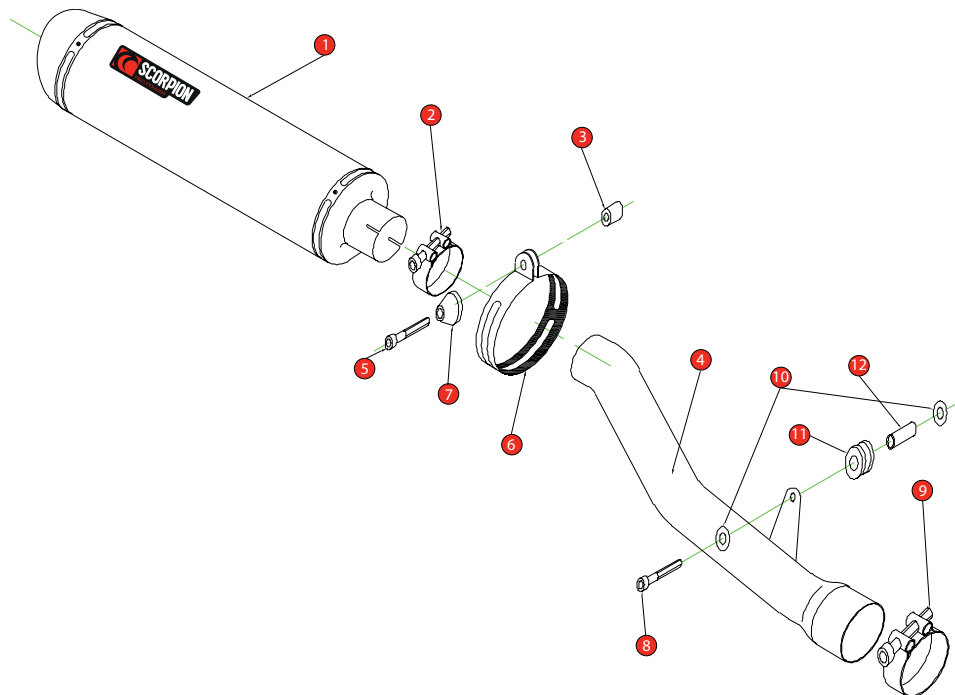


Box: PLOCK 2

BIKE	Honda 125 XL VARADERO	PART NO.	EHA - 150
YEAR	2001 - 2006	FIT KITS	Z039.11134
NOTES	Use standard fittings where not supplied <b>Remove standard gasket if fitted.</b>	DB-Killer	SCEXDBK12 - (Type B)



1 400mm Silencer ESC 51	8 M8 x 35mm Cap Head Bolt (Z017.10075)
2 51 - 55mm Band Clamp (Z016.10002)	9 34 - 37mm Band Clamp (Z016.10010)
3 50mm Aluminium Spacer (Z026.10012)	10 2 x M8 x 26mm Washers (Z016.10825)
4 Connecting Pipe CP138	11 Mounting Rubber (Z016.10046)
5 M8 x 70mm Cap Head Bolt (Z017.10082)	12 Steel Bush Insert (Z004.10022)
6 Composite Strap (Z038.10088)	
7 Aluminium Bolt Finisher (Z026.20068)	

E-MARK ROUND	SCDB-RS <a href="#">[e4]</a> 2035
E-MARK OVAL	SCDB-OS <a href="#">[e4]</a> 2072
ISSUE NO.	10
DATE	13/12/2018
AUTHORISED	J.Harkin
CHECKED	

**NOTE:** ENSURE SCORPION SYSTEM IS CLEAR OF MOVING PARTS AND ALL ORIGINAL FUNCTIONS WORK CORRECTLY.

A) Remove original exhaust from bike, taking care to keep all original components in a safe place.

B) Refit Scorpion exhaust as per line diagram above.

C) When fitted take bike for a short ride to ensure all functions are correct.

D) When bike & exhaust are cool enough check all nuts and bolts are still secure.