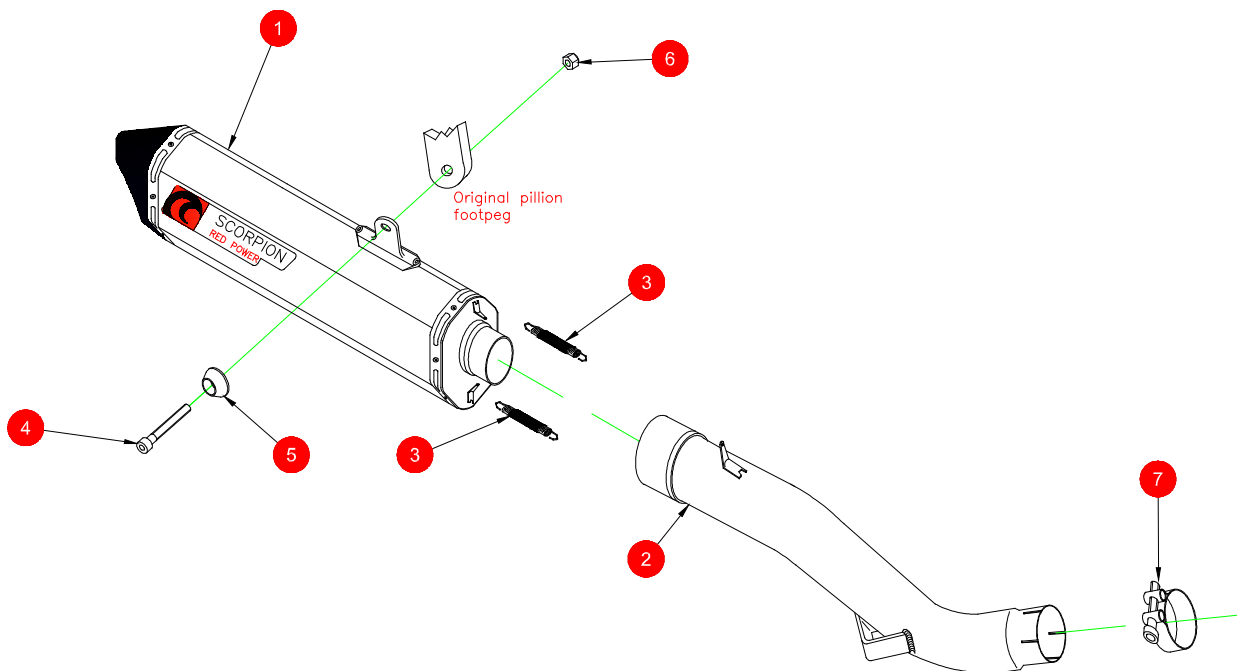


Box: PLOCK 2

BIKE	HONDA Crosstourer	PART NO.	RHA - 156
YEAR	2012-	FIT KITS	Z039.10518
NOTES	Use standard fittings where not supplied <b>Remove standard gasket if fitted.</b> Fits with or without panniers.	DB-Killer	SCEXDBK23 - (Type V)



- 1 Serket Silencer 400mm RSC272
- 2 Connecting Pipe CP783
- 3 2 x Rubber Coated Springs (Z028.10030)
- 4 M8x50mm Cap Head Bolt (Z017.10078)
- 5 Alloy Bolt Finisher (Z026.20068)
- 6 M8 Nyloc Nut (Z017.10062)
- 7 43-47mm Band Clamp (Z016.10008)

E-MARK	SCDB-OS e4 2072
ISSUE NO.	02
DATE	17/10/2018
AUTHORISED	J.Harkin
CHECKED	

**NOTE:** ENSURE SCORPION SYSTEM IS CLEAR OF MOVING PARTS AND ALL ORIGINAL FUNCTIONS WORK CORRECTLY.

A) Remove original exhaust from bike, taking care to keep all original components in a safe place.

B) Refit Scorpion exhaust as per line diagram above.

C) When fitted take bike for a short ride to ensure all functions are correct.

D) When bike & exhaust are cool enough check all nuts and bolts are still secure.

Cleaning instructions overleaf:

Box: PLOCK 2

BIKE	HONDA Crosstourer	PART NO.	RHA - 156
YEAR	2012-	FIT KITS	Z039.10518
NOTES		FEATURES	

Thank you for purchasing your Scorpion Silencer.

Care of your exhaust: Please refrain from cleaning silencer with heavy solvents or abrasives!

Vielen Dank für den Kauf eines Scorpion Schalldämpfers! Pflegehinweis: Bitte verwenden Sie niemals Scheuermittel oder aggressive Reiniger zur Pflege Ihres Auspuffes!

Merci d'avoir choisi un échappement Scorpion.

Entretien de votre silencieux: Ne pas utiliser de solvants ou de produits abrasifs!

"Muchas gracias por adquirir un Silencioso Scorpion. Le recomendamos no limpiar el silencioso con productos abrasivos o aquellos que contengan disolventes."