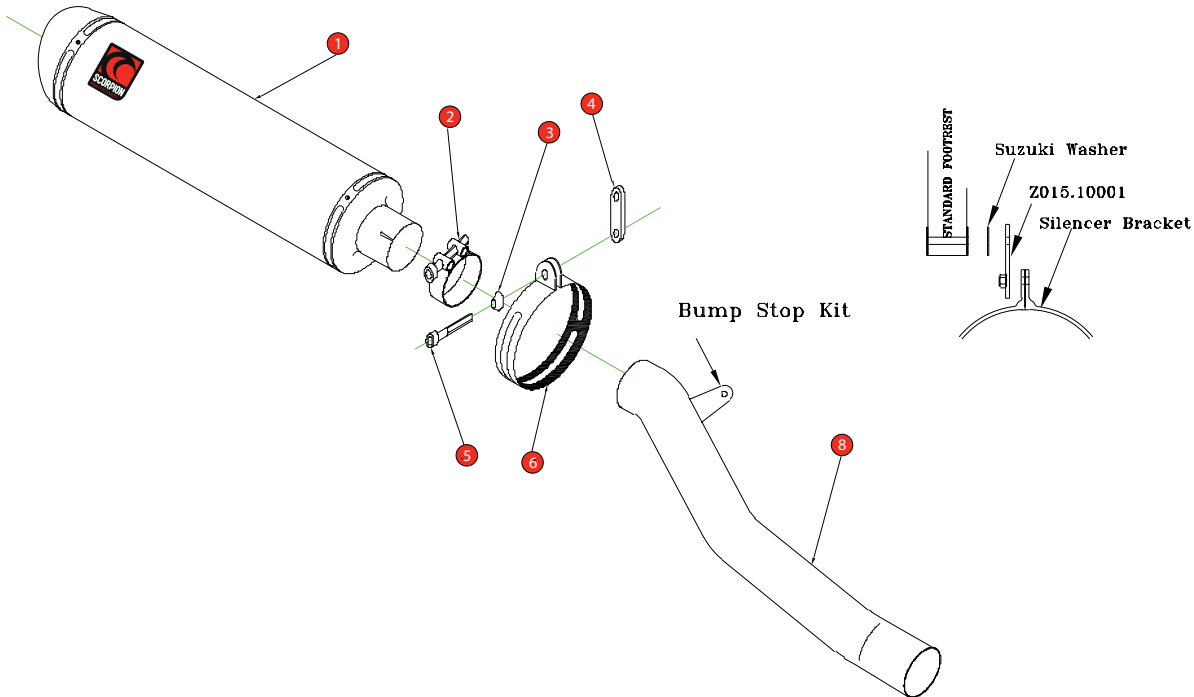


Box: PLOCK 1

BIKE	SUZUKI GSF 600 / 650 / 1200 BANDIT. CARBINE	PART NO.	ESI - 90
YEAR	2001 - 2006	FIT KITS	OVAL Z039.11081
NOTES	Use standard fittings where not supplied Remove standard gasket if fitted.	DB-Killer	SCEXDBK12 - (Type B)



- 1 225mm Silencer ESC 114
- 2 51-55mm Band Clamp (Z016.10002)
- 3 Alloy Bolt Finisher (Z026.20068)
- 4 Mounting Bracket (Z015.10001)
- 5 M8 x 16mm Cap Head Bolt (Z017.10808)
- 6 Composite Silencer Strap (O-Z038.10088)
- 7 Connecting Pipe CP33

8 Bump Stop Kit

E-MARK ROUND	
E-MARK OVAL	BSAU 193a 1990/t3
ISSUE NO.	09
DATE	19/10/2018
AUTHORISED	J.Harkin
CHECKED	

NOTE: ENSURE SCORPION SYSTEM IS CLEAR OF MOVING PARTS AND ALL ORIGINAL FUNCTIONS WORK CORRECTLY.



A) Remove original exhaust from bike, taking care to keep all original components in a safe place.

B) Refit Scorpion exhaust as per line diagram above.

C) When fitted take bike for a short ride to ensure all functions are correct.

D) When bike & exhaust are cool enough check all nuts and bolts are still secure.