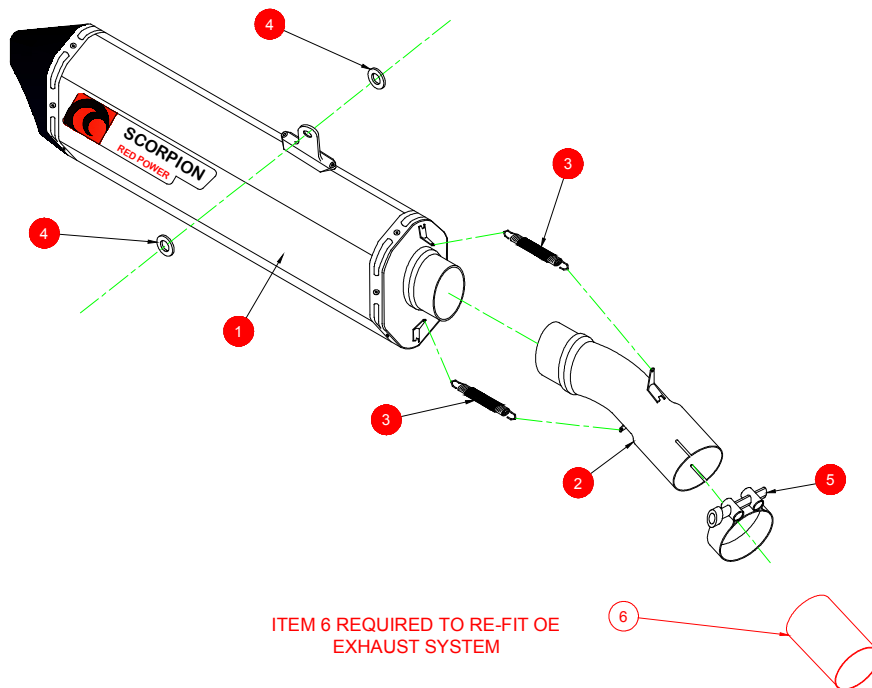



BIKE	SUZUKI SV 650	PART NO.	RSI-84
YEAR	2004 - 2015	FIT KITS	Z039.10496zz
NOTES	Where not supplied use original fittings. Item 7 required to re-fit OE exhaust system	DB-Killer	SCEXDBK23 - (Type V)



- 1 400mm Serket Silencer RSC272
- 2 Connecting Pipe CP739
- 3 2 x Rubber Coated Springs (Z028.10030)
- 4 2 x M8x25mm Washers (Z017.10825)
- 5 55-59mm Band Clamp (Z016.10004)
- 6 Re-connecting Sleeve CP327
Re-Connecting Sleeve instructions over leaf.

E MARK	SCDB-OS  2072
ISSUE NO.	04
DATE	22/10/2018
AUTHORISED	J.Harkin
CHECKED	

NOTE: ENSURE SCORPION SYSTEM IS CLEAR OF MOVING PARTS AND ALL ORIGINAL FUNCTIONS WORK CORRECTLY.

A) Remove original exhaust from bike, taking care to keep all original components in a safe place.

B) Refit Scorpion exhaust as per line diagram above.

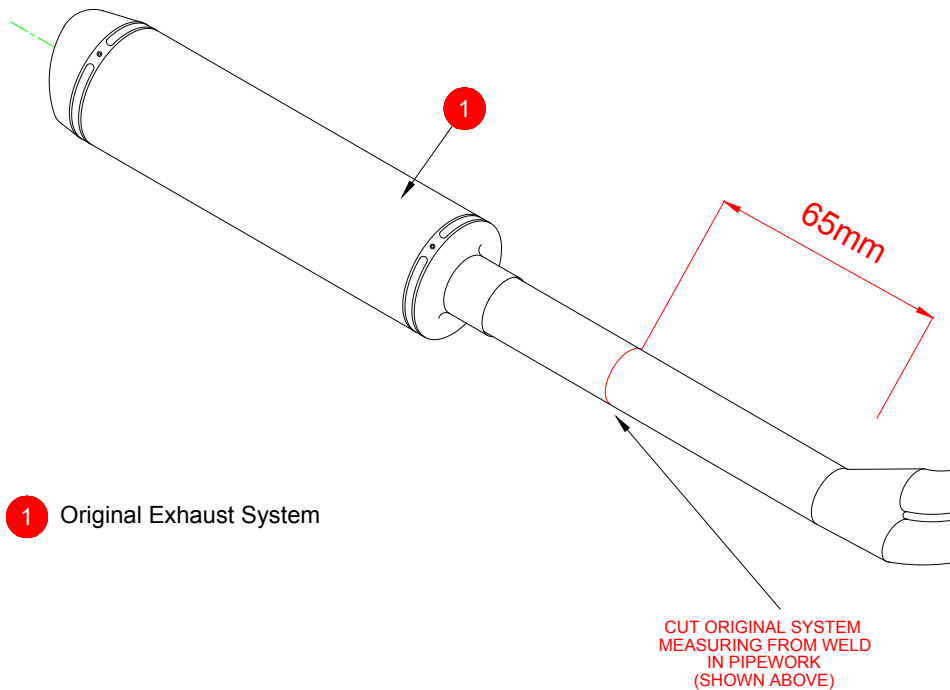
C) When fitted take bike for a short ride to ensure all functions are correct.

D) When bike & exhaust are cool enough check all nuts and bolts are still secure.



Box: PLOCK 1

BIKE	SUZUKI SV 650	PART NO.	RSI-84
YEAR	2004 - 2015	FIT KITS	Z039.10496
NOTES	PIPEWORK CUTTING INSTRUCTIONS	FEATURES	DB KILLER:- Z038.10043(V)



- | | |
|---|--|
| 1 Use correct tools and check parts list | 5 Use a small amount of silicone to seal joints |
| 2 Saw off standard silencer 65mm back from weld in pipework,(as illustrated) Clean sawn edge. | 6 Tighten all fasteners and check that it is clear of all moving parts, & all original functions are working correctly |
| 3 Connector pipe CP-327 should only be used to re-fit std silencer if required. | 7 Ride for a short distance and re-tighten all fasteners |
| 4 Use rubber strap under silencer bracket to prevent damage to silencer | |

NOTE: CLEANING INSTRUCTIONS OVERLEAF

Box: PLOCK 1

BIKE	SUZUKI SV650	PART NO.	RSI-84
YEAR	2004-2015	FIT KITS	Z039.10496
NOTES		FEATURES	DB KILLER:- Z038.10043(V)

Thank you for purchasing your Scorpion Silencer.

Care of your exhaust: Please refrain from cleaning silencer with heavy solvents or abrasives!

Vielen Dank Für den kauf eines Scorpion Schalldampfers! Pflegehinweis: Bitte verwenden Sie niemals Scheuermittel oder aggressive Reiniger zur Pflege Ihres Auspuffes!

Merci d'avoir choisi un echappement Scorpion.

Entretien de votre silencieux: Ne pas utiliser de solvants ou de produits abrasifs!

"Muchas gracias por adquirir un Silencioso Scorpion. Le recomendamos no limpiar el silencioso con productos abrasivos o aquellos que contengan disolventes."